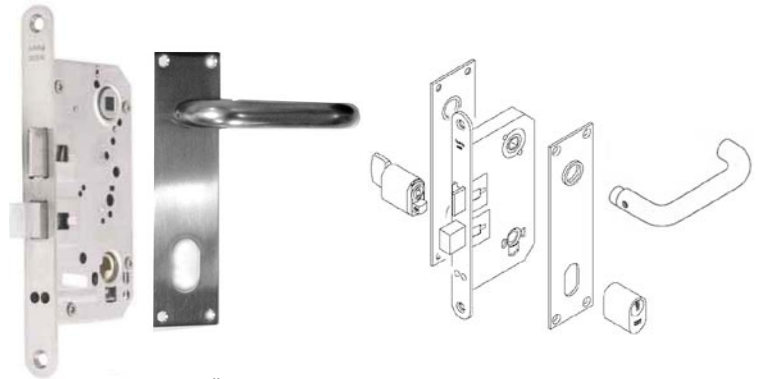




Izerwaren  
Order numbers

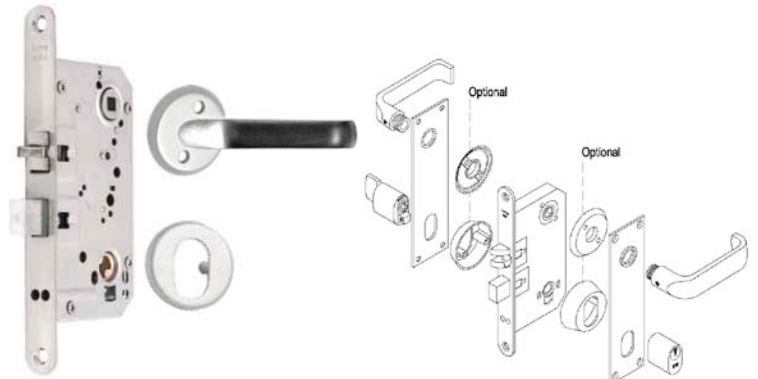
- Stainless Steel Heavy duty Mortise locks;
- Backset 55 mm
- Standard finish: Brushed stainless steel
- Option: Mirror Polished Stainless Steel Finish

- 11.SEET01 **Set:** Exterior lock with satin stainless levers and escutcheons  
 11.BEET01 **Set:** Exterior lock with satin chrome levers and escutcheons  
 11.312 Exterior Lock separate (Trioving 5312)  
 With key outside and thumb-turn inside  
 Heavy Duty; one piece latch-bolt,  
 for 8 x 8 mm square spindle



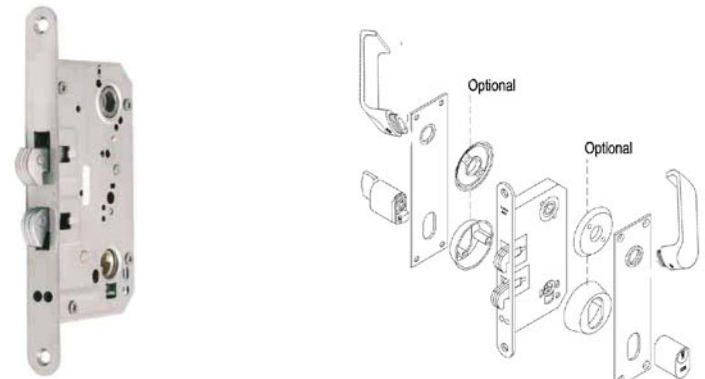
Exterior Entry lock Set: #11.SEET01 - Stainless Steel Levers and Escutcheons  
 Exterior Entry lock Set: #11.BEET01 - Chrome Levers and Escutcheons

- 11.BRET01 **Set:** Interior lock with satin chrome levers and escutcheons.  
 11.BRET02 **Set:** Interior lock with polished chrome levers and roses.  
 11.316 Interior Lock separate (Trioving 5316)  
 11.317 Interior Lock separate (Trioving Privacy 5317)  
 With key outside and thumb-turn inside  
 Medium duty; three piece latch-bolt,  
 for 8 x 8 mm square spindle



Interior lock Set: #11.BRET01 - Chrome Levers and Escutcheons  
 Interior lock Set: #11.BEET02 - Chrome Levers and Roses

- 11.BPRT01 **Set:** Interior passage lock with satin chrome levers and roses  
 11.BPET01 **Set:** Interior passage lock with satin chrome levers, escutcheons.  
 11.336 Interior passage latch separate (Trioving 5336)  
 Medium duty. Not depicted details: see page I-0-B
- 11.SDRT01 **Set:** Deadbolt lock with chrome levers and roses  
 11.SDET01 **Set:** Deadbolt lock with chrome levers, escutcheons  
 11.341 Deadbolt lock separate (Trioving 5341)  
 Deadbolt lock not depicted. Details: see page I-0-C



Exterior Sliding lock Set: #11.SPOCT07 - Stainless Steel Levers and Escutcheons  
 Exterior Sliding lock Set: #11.BPOCT07 - Chrome Levers and Escutcheons  
 Exterior Sliding lock Set: #11.BPORT07 - Chrome Levers and Roses

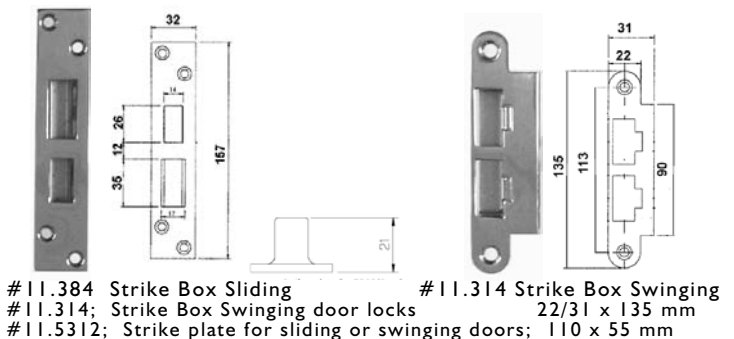
- 11.SSET01 **Set:** Exterior sliding lock with stainless levers, escutcheons  
 11.BSET01 **Set:** Exterior sliding lock with chrome levers, escutcheons  
 11.BSRT01 **Set:** Exterior sliding lock with chrome levers and roses  
 11.382 Sliding Lock separate (Trioving 5382)  
 Heavy Duty, Double hook bolt, for exterior and  
 interior doors. For 8 x 8 mm square spindle



11.5312 Extra wide strike plate for entry locks  
 110 x 55 mm

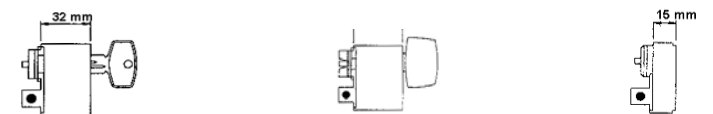
11.384 Strike Box for sliding door lock, stainless steel  
 Size: 157 X 32 x 21 mm

11.314 Strike Box for swinging door lock, stainless steel  
 Size: 135 x 22 + 9 mm



#11.384 Strike Box Sliding #11.314 Strike Box Swinging  
 #11.314; Strike Box Swinging door locks 22/31 x 135 mm  
 #11.5312; Strike plate for sliding or swinging doors; 110 x 55 mm

- 11.520 Oval Cylinder (half) with key. Body: 32 mm  
 11.544 Oval Cylinder (half) with knob. Body: 32 mm  
 11.508 Keys, nickel silver; special keying available  
 11.555 Extensions for cylinder or thumb-turn 15 mm, brass

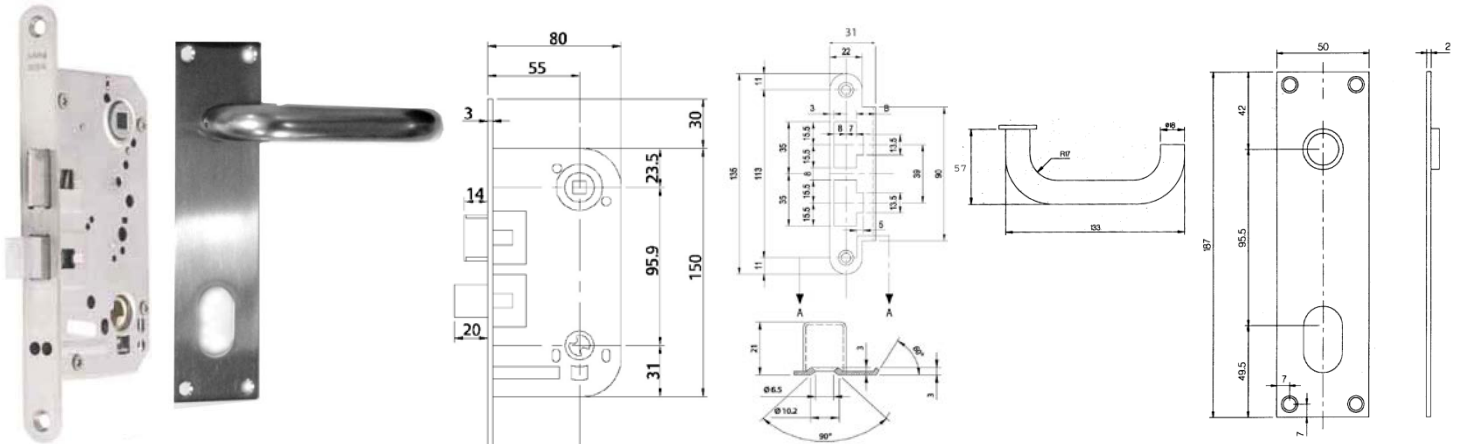


Keyed Oval Cylinder #11.520 Thumb-turn #11.544 Extensions #11.555

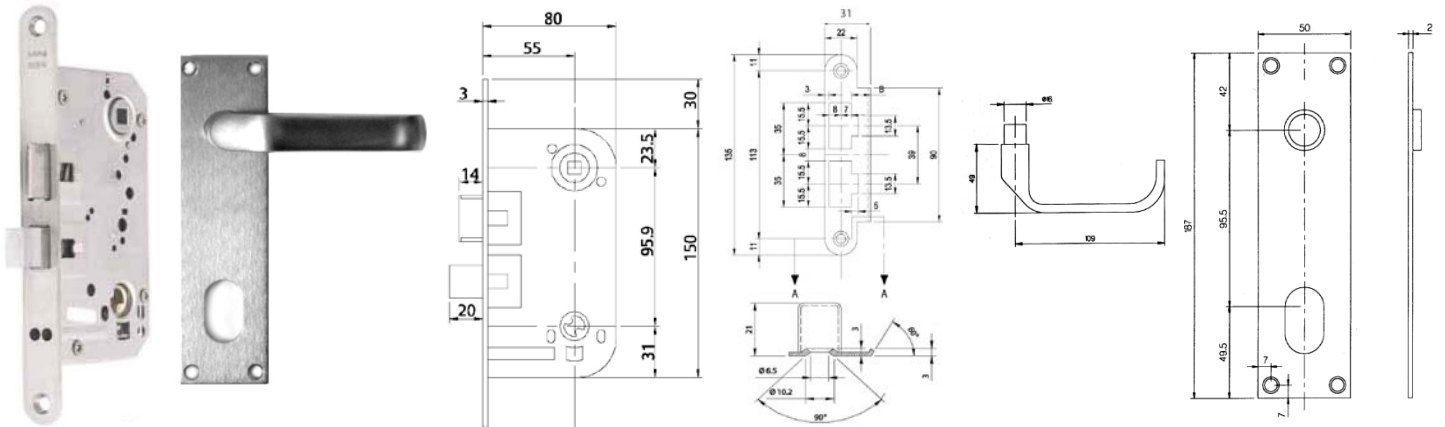
**FOR DETAILS TRIOVING TRIM SETS SEE PAGE I-1-0**



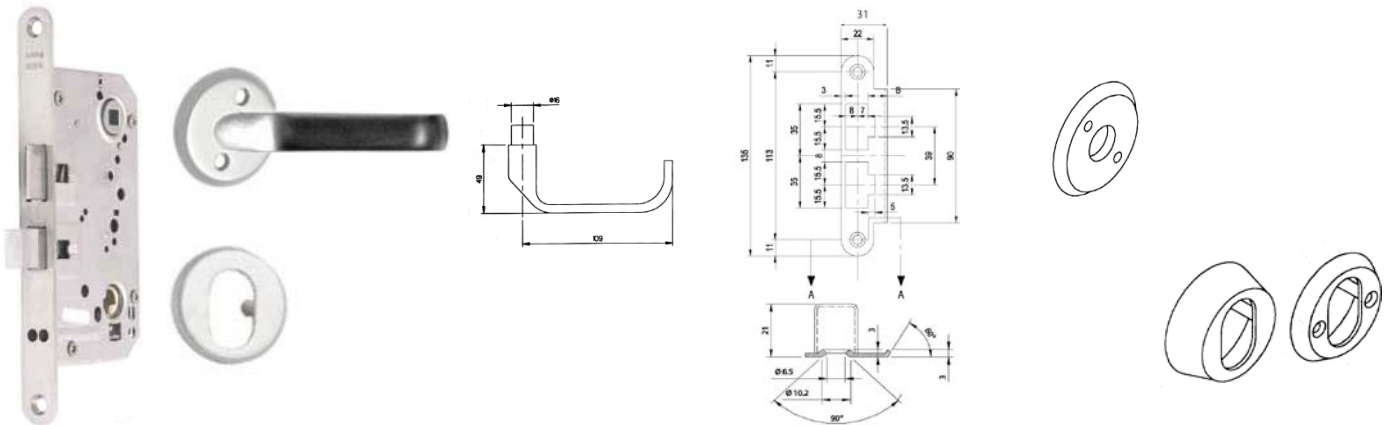
**ENTRY SETS HEAVY DUTY WITH DRAWINGS**





#11. SEET01. Complete Entry Lock Set Heavy Duty with stainless steel trim with escutcheon plates. Specify door thickness when ordering.



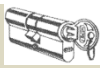
#11. BEET01. Complete Entry Set Heavy Duty with chrome trim with escutcheon plates.



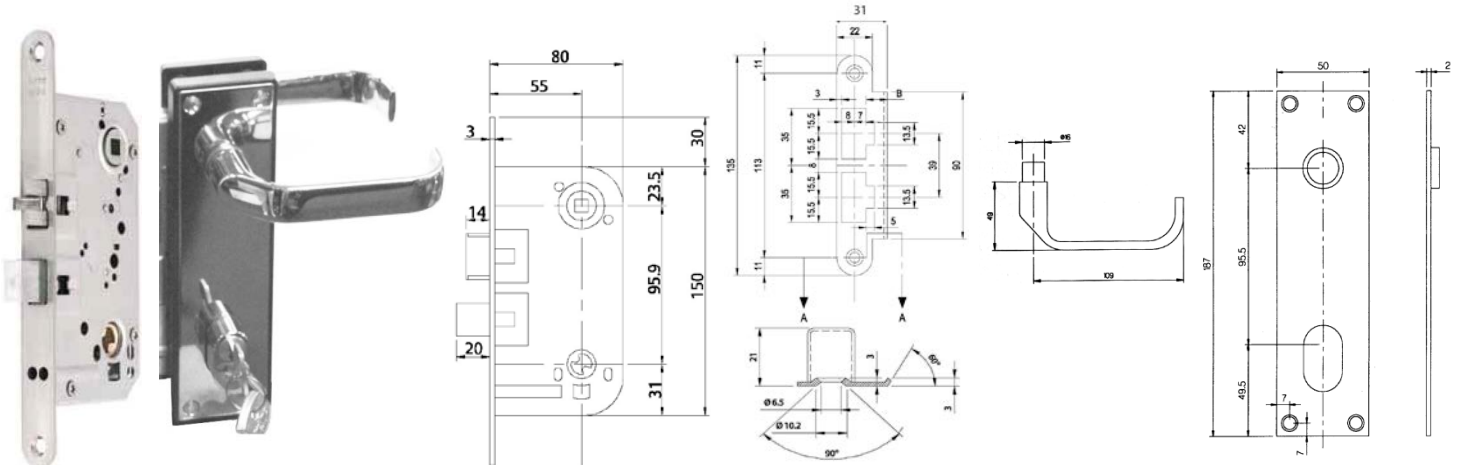
#11. BERT01. Complete Entry Set Heavy Duty with chrome trim with round roses.

- All sets include: 1 keyway  with 2 keys and 1 thumb-turn  (optional: 2 keyways; no thumb-turn)
- Specify satin or polished.
- Specify left or right (see page 0-2 for handing)

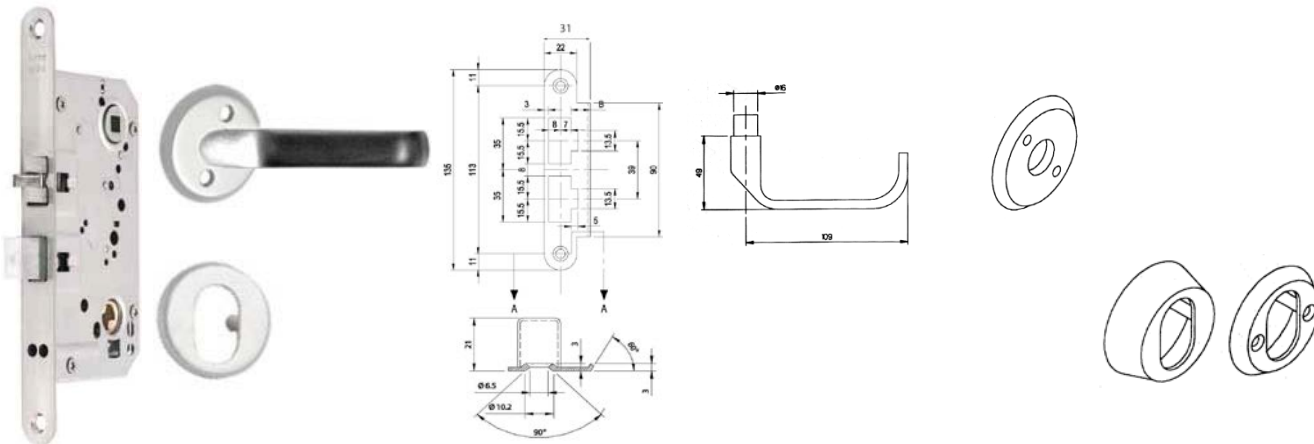
**UPGRADE TO YACHT TRIM: SEE PAGE 1-1-1**



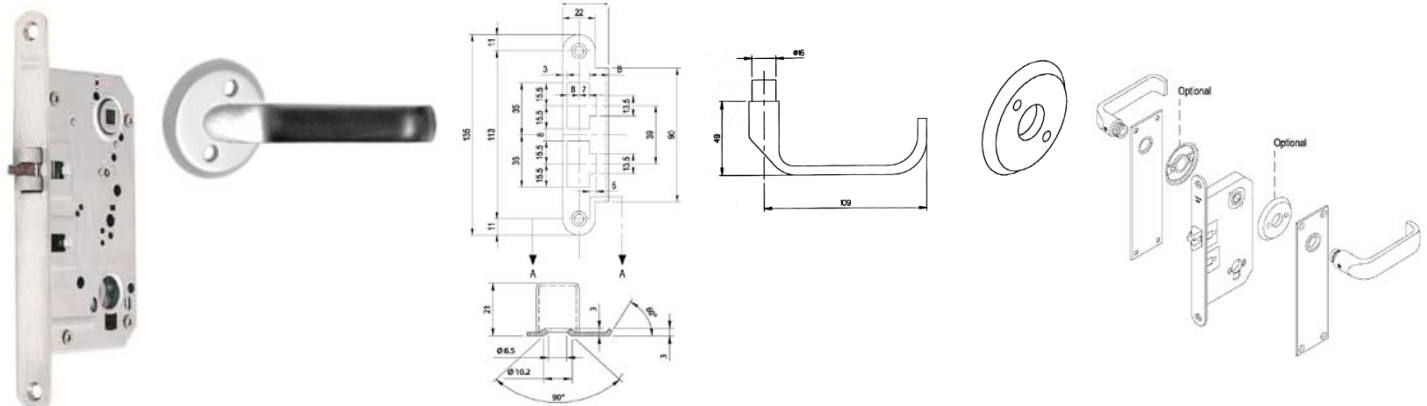
**INTERIOR SETS WITH DRAWINGS**



#11.BRET01. Complete Entry / Privacy Set for Interior doors with satin chrome trim with escutcheons





#11.BRRT01. Complete Entry / Privacy Set for Interior doors with satin chrome trim and roses. Privacy execution: By means of 1 thumb-turn and 1 indicator.



#11.BPRT01. Complete Passage Set for Interior doors with chrome trim and roses.

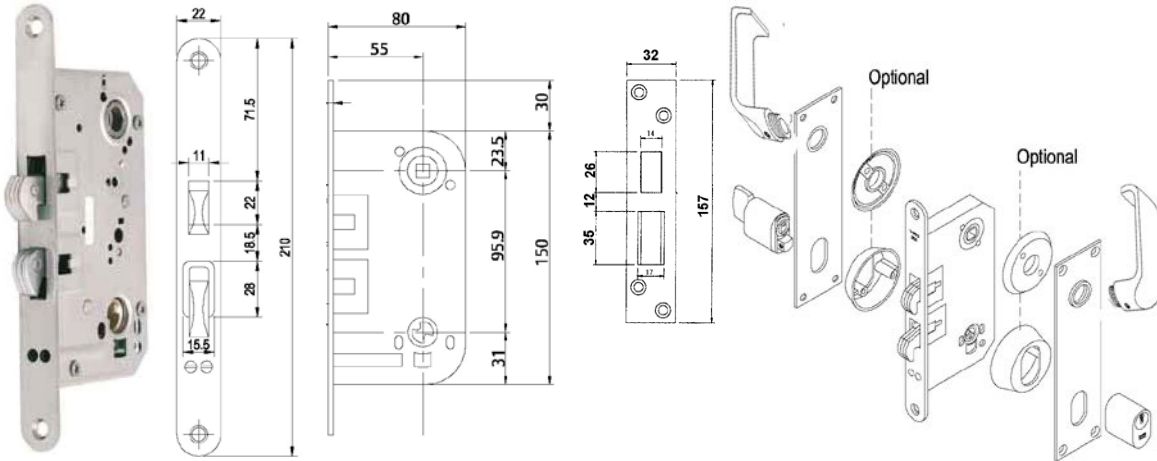
#11.BPET01. Complete Passage Set for Interior doors with chrome trim and escutcheon plates.

- All sets (not passage locks) include: 1 keyway  with 2 keys and 1 thumb-turn  (Optional: 2 keyways, no thumb-turn)
- Specify door thickness when ordering.
- Specify satin or polished
- Specify left or right (see page 0-2 for handing)

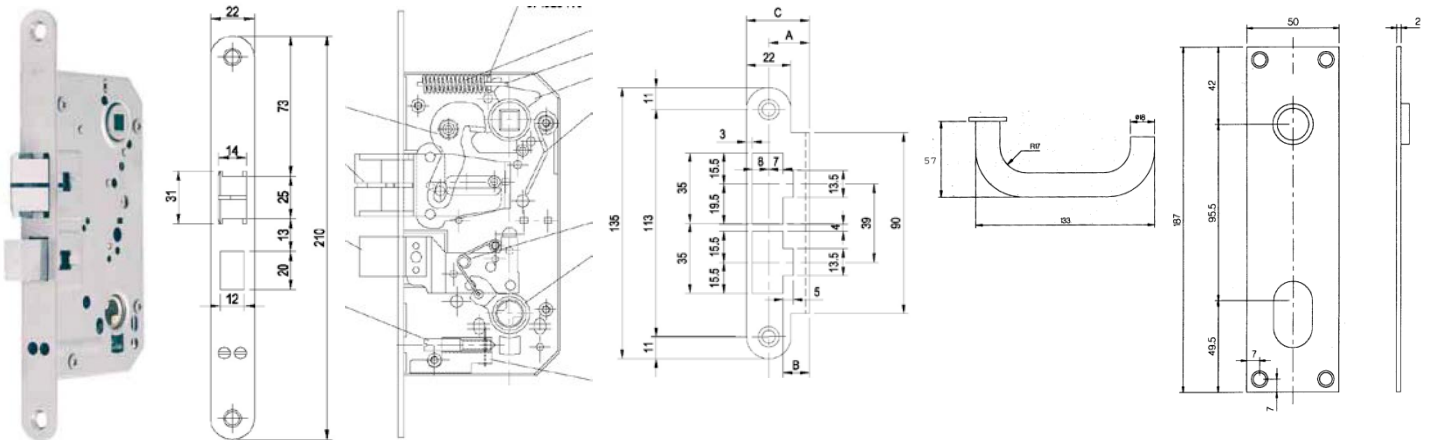
**UPGRADE TO YACHT TRIM: SEE PAGE I-1-I**



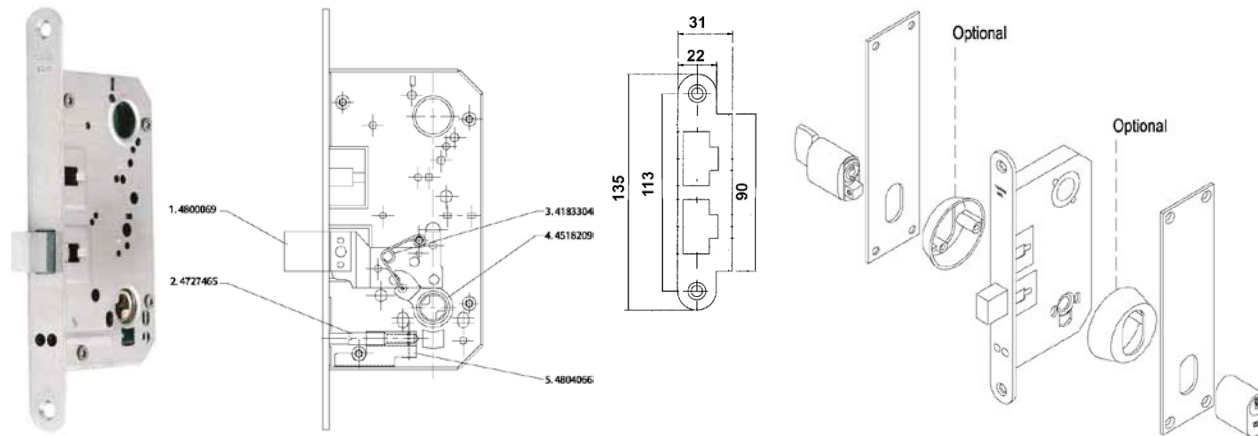
**EXTERIOR LOCK SETS WITH DIMENSIONS IN MM**





- #11.SSET01. Complete Entry Sliding Door Set for Interior doors with satin stainless steel trim and escutcheons.
- #11.BSET01. Complete Entry Sliding Door Set for Interior doors with satin chrome trim and escutcheons.
- #11.BSRT01. Complete Entry Sliding Door Set for Interior doors with satin chrome trim and roses.



- #11.SEET07. Complete Entry Lock Set with 20 mm extended Bolt for Exterior doors with satin stainless steel trim and escutcheons.
- #11.SEET09. Complete Entry Lock Set with extended Bolt for Exterior doors with satin chrome trim and escutcheons
- #11.SERT07. Complete Entry Lock Set with extended Bolt for Exterior doors with satin chrome trim and roses.



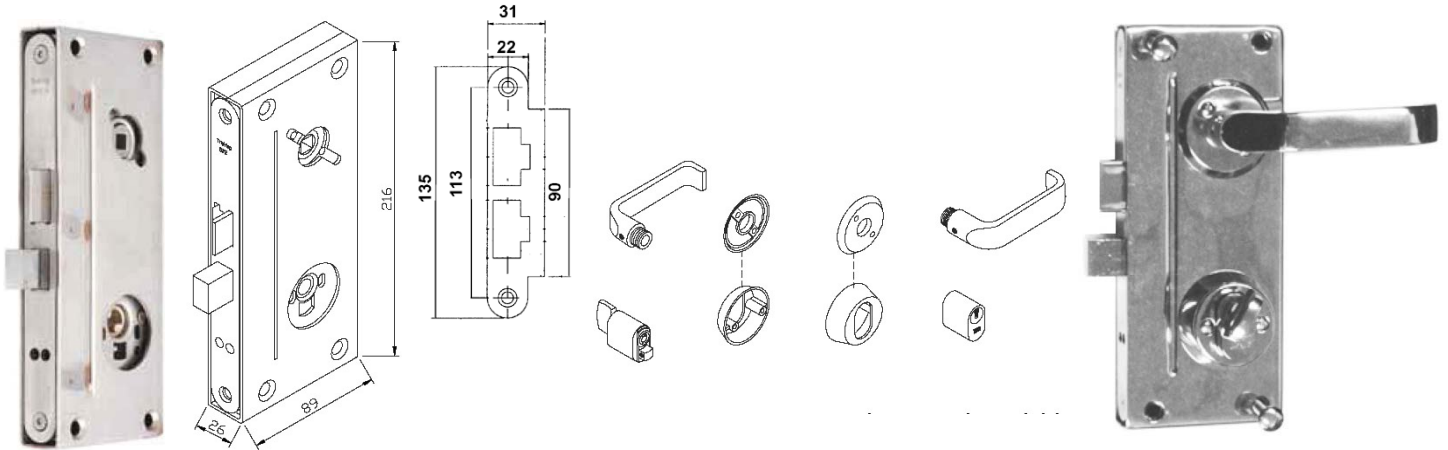
- #11.SDET03. Complete Dead Bolt Lock Set with satin stainless steel escutcheons.
- #11.SDET01. Complete Dead Bolt Lock Set with satin chrome trim and escutcheons
- #11.SDRT01. Complete Dead Bolt Lock Set with satin chrome trim and roses.

All sets include: 1 keyway  with 2 keys and 1 thumb-turn  (Optional: 2 keyways, no thumb-turn)  
 Specify door thickness when ordering.  
 Specify satin or polished  
 Specify left or right (see page 0-2 for handing)

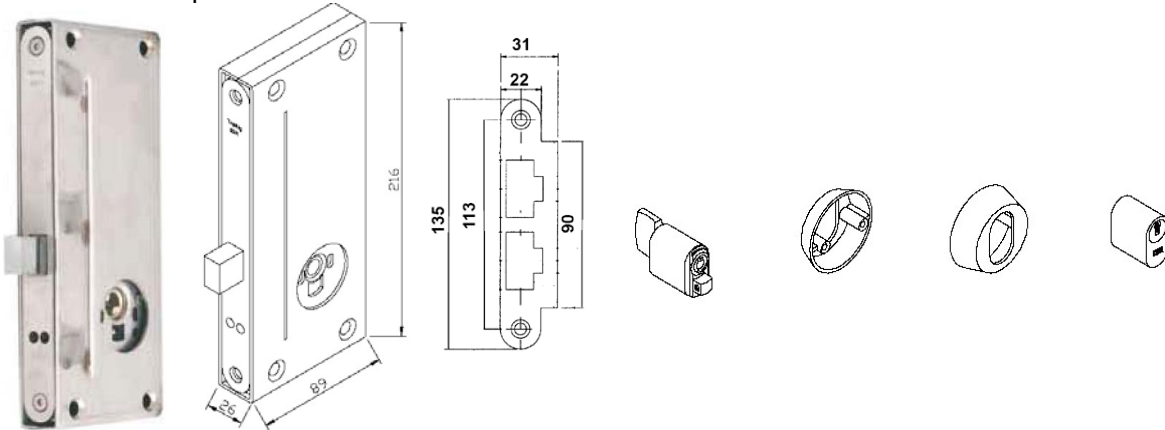
**UPGRADE TO YACHT TRIM: SEE PAGE I-1-I**



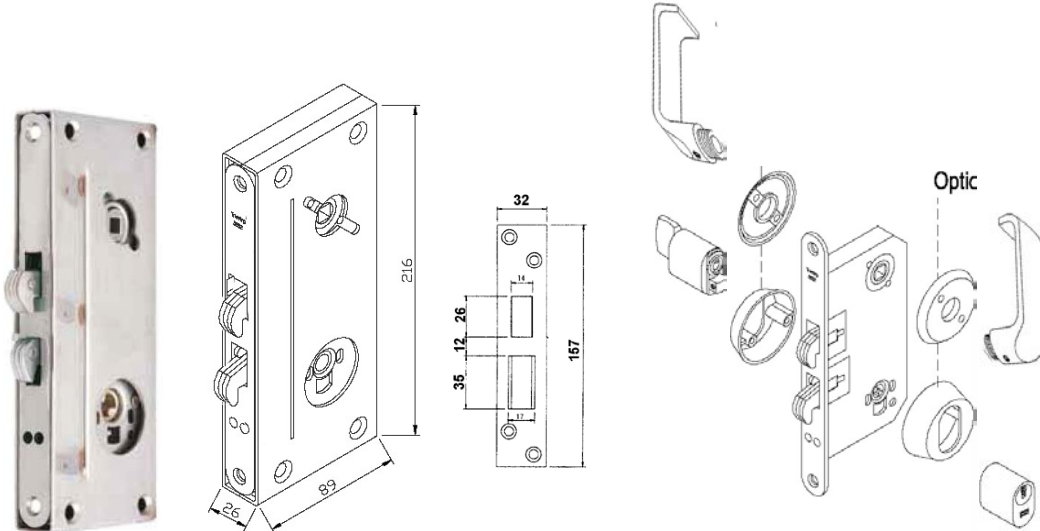
**EXTERIOR BOX SETS WITH DIMENSIONS IN MM**





#11.EBET01. Complete Rim Mounted Box Lock. Lock and Box Satin Stainless steel. Roses and Levers Satin Chrome Plated Brass.  
#11.EBET02. Complete Rim Mounted Box Lock. Lock and Box Polished Stainless steel. Roses and Levers Polished Chrome Plated.



#11.BDRT01. Complete Rim Mounted Box Lock. Lock and Box Satin Stainless steel. Roses and Keyway Satin Chrome Plated Brass.  
#11.BDRT02. Complete Rim Mounted Box Lock. Lock and Box Polished Stainless steel. Roses and Keyway polished Chrome Plated.



#11.SBET01. Complete Rim Mounted Sliding Box Lock. Lock and Box Satin Stainless Steel. Roses and Keyway Satin Chrome Plated.  
#11.SBET02. Complete Rim Mounted Sliding Box Lock. Lock and Box Polished Stainless Steel. Roses and Keyway Polished Chrome.

- All sets include: 1 keyway  with 2 keys and 1 thumb-turn  (Optional: 2 keyways, no thumb-turn)
- Specify door thickness when ordering.
- Specify left or right (see page 0-2 for handing)

**UPGRADE TO YACHT TRIM: SEE PAGE 1-1-I**

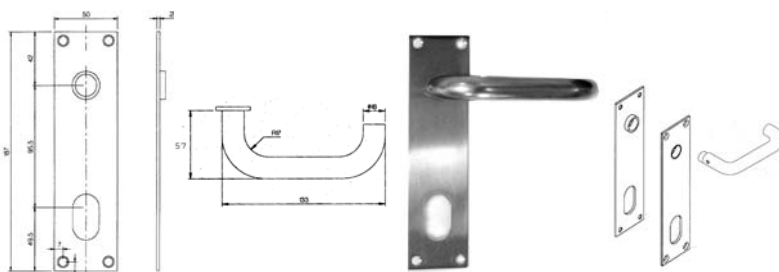


IZERWAREN  
Order  
numbers

- Trioving Standard Trim for Mortise Locks
- For Trioving locks see page I-1
- For UPGRADE to YACHT trim see page I-2

11.605 **Stainless Steel Lever Handle**, (Trioving 8605)  
U shape model 133 x 57 mm  
for 8 x 8 mm square spindle

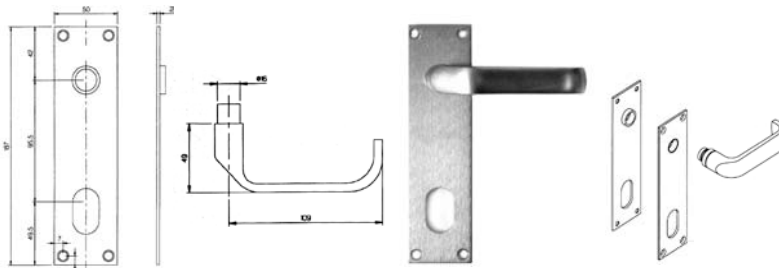
11.653 **Stainless Steel Escutcheon plate** (Trioving 8660)  
rectangular 187 x 50 x 2 mm  
Finish: Polished or Satin Stainless Steel



Stainless steel trim set: Escutcheon #11.653 & Lever #11.605  
Escutcheon: 187 x 50 x 2 mm; Lever: 57 x 133 mm

11.363 **Chrome Plated Lever Handle** (Trioving 7364)  
Standard model 109 x 49 mm  
for 8 x 8 mm square spindle

11.715 **Chrome Escutcheon Plate** (Trioving 7715)  
rectangular 187 x 50 x 2 mm  
Finish: Polished or Satin Chrome



Chrome plated trim set: Escutcheon #11.363 & Lever 11.363.  
Escutcheon: 187 x 50 x 2 mm; Lever 49 x 109 mm



11.695 **Spacer Plate** #11.695 for escutcheon plate  
black plastic



11.5967 **Cylinder coat; black plastic, 10 mm.**  
11.5968 **Cylinder coat; black plastic, 6 mm.**

11.509 **Chrome plated rose for lever**(Trioving 7509)  
Diameter 54 mm, 6 mm thick

11.962 **Chrome plated roses for cylinder** (Trioving 5966)  
Diameter 54 mm: different thickness:  
6 mm thick  
9 mm thick  
12 mm thick - please specify thickness



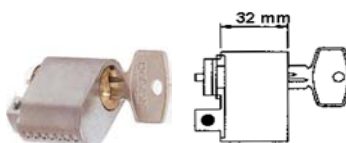
Chrome plated trim set: Rose #7509 & Lever 5316  
Rose: 54 mm diameter, Lever 49 x 109 mm



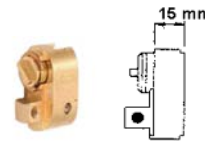
Key way rose, pair #5962, 54 mm diameter; specify thickness rose

11.520 **Oval Cylinder** (half) with key. Body: 32 mm

11.555 **Extensions** for cylinder or thumb-turn 15 mm, brass



Oval Cylinder key way #11.520



Extensions 15 mm #11.555

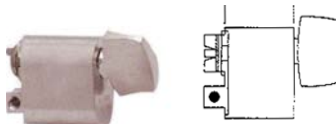
11.544 **Oval Cylinder** (half) with knob. Body:-32 mm

11.555 **Extensions** for cylinder or thumb-turn 15 mm,

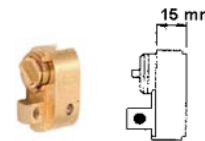
11.508 **Keys**, nickel silver; special keying available

11.200 **Spindles, 8 x 8 mm different lengths**

11.H07 **Through bolts** Trioving, set of 2 bolts and 2 nuts



Keyed Thumb-turn #11.544

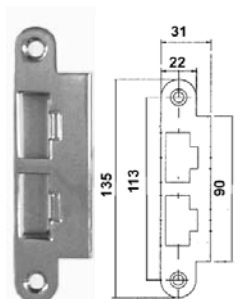


Extensions 15 mm #11.555

11.314 **Strike Box** for swinging door lock, stainless steel  
Size: 135 x 22 + 9 mm

11.5312 **Extra wide Strike Plate** for entry locks  
Size: 110 x 55 mm

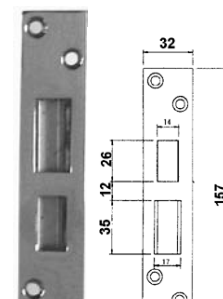
11.384 **Strike Box** for sliding door lock, stainless steel  
Size: 157 X 32 x 21 mm



Strike Plate #11.314  
136 x 38 mm



#11.5312  
110 x 55 mm

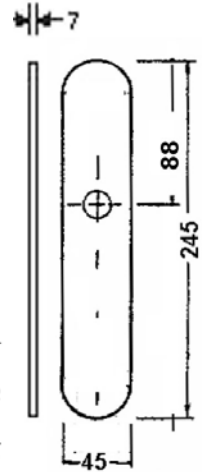
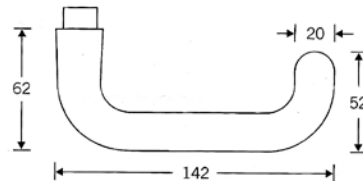
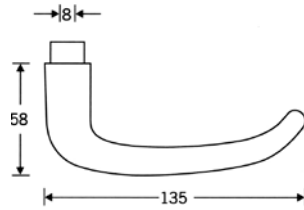


#11.384  
167 x 32 mm

**UPGRADE TO YACHT TRIM: SEE PAGE I-1-1**



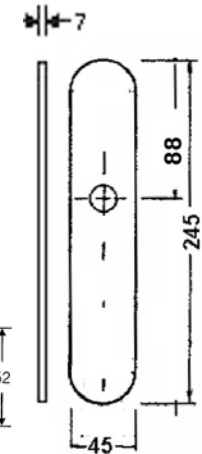
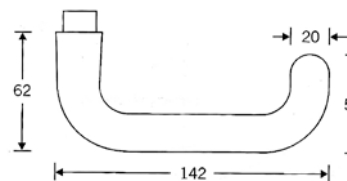
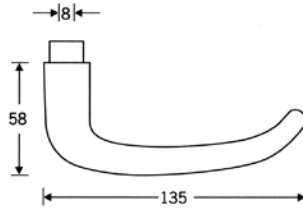
Trioving Marine Locks with Izerwaren **UPGRADE** to Mirror Polished Stainless Steel Exterior Yacht Doors.  
55 mm backset - Suitable for aluminum, wood, fiberglass and steel swinging doors.



- # 11.SEFT.011 Complete set with lock, strike and key/thumb-turn
- # 11.SEFT.011 Complete set with lock, strike and key/thumb-turn
- # 11.SEFT.021 Complete set with lock, strike and key/thumb-turn
- # 11.SEFT.021 Complete set with lock, strike and key/thumb-turn

- Lever # 12.527 Polished Stainless Steel
- Lever # 12.527 Satin Stainless Steel
- Lever # 12.045 Polished Stainless Steel
- Lever # 12.045 Satin Stainless Steel

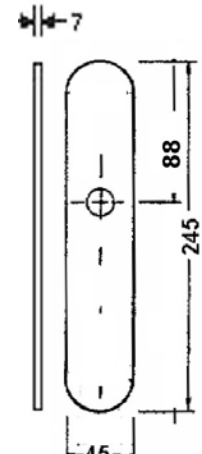
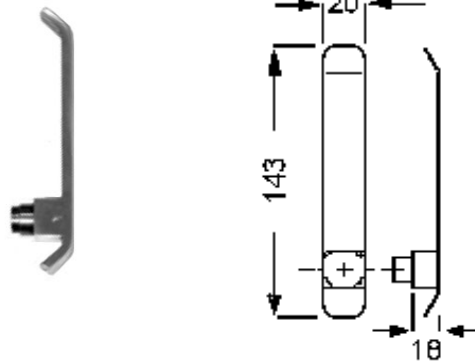
- Escutcheon # 12.222
- Escutcheon # 12.222
- Escutcheon # 12.222
- Escutcheon # 12.222



- # 11.SEFT.017 Complete Sliding door lock, strike and key/thumb-turn
- # 11.SEFT.017 Complete Sliding door lock, strike and key/thumb-turn
- # 11.SEFT.027 Complete Sliding door lock, strike and key/thumb-turn
- # 11.SEFT.027 Complete Sliding door lock, strike and key/thumb-turn

- Lever # 12.527 Polished Stainless Steel
- Lever # 12.527 Satin Stainless Steel
- Lever # 12.045 Polished Stainless Steel
- Lever # 12.045 Satin Stainless Steel

- Escutcheon # 12.222
- Escutcheon # 12.222
- Escutcheon # 12.222
- Escutcheon # 12.222



- # 11.SEFT.037 Complete sliding door lock, strike and key/thumb-turn
- # 11.SEFT.038 Complete sliding door lock, strike and key/thumb-turn

- Lever # 12.53F Polished Stainless Steel
- Lever # 12.53F Satin Stainless Steel

- Escutcheon # 12.222
- Escutcheon # 12.222

All sets include: 1x keyway with 2 keys and 1x thumb-turn

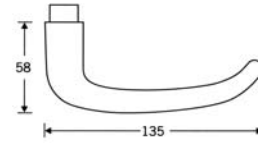
(optional: Change to 2 keyways). Specify door thickness and handing when ordering.



Izerwaren  
Order  
Numbers

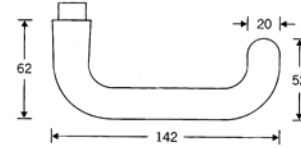
Stainless steel levers  
for full size mortise marine locks  
Finish: satin stainless steel or  
mirror polished stainless steel

12.527 Lever Classic; 135 mm long



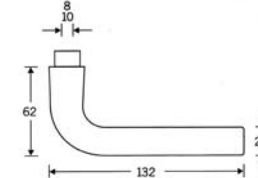
Lever # 12.527; 135 mm long; stands off 58 mm  
Rose #12.110; 55 mm diameter

12.045 Lever U shape; 131 mm long



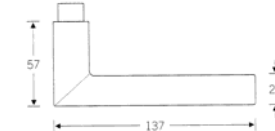
Lever #12.045; 142 mm long; stands off 64 mm; 20 mm diameter

12.547 Lever L shape; 132 mm long  
Round corner



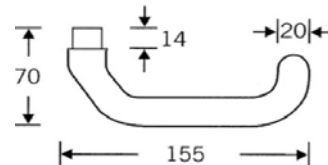
Lever #12.547; 132 mm long; stands off 64 mm; 20 mm diameter

12.576 Lever L shape; 132 mm long  
Square corner



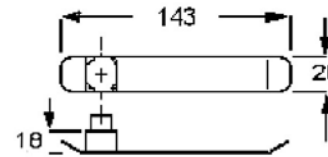
Lever #12.576; 137 mm long; stands off 57 mm; 20 mm diameter

12.021 Lever Cropped; 155 mm long



Lever #12.021; 155 mm long; stands off 56 mm; 20 mm diameter

12.53F Lever Semi Flush; 143 mm long



Lever #12.53F; 143 mm long; stands off 25 mm with standard plate; 20 mm wide

12.5SF Lever Semi Flush; 95 mm long



Lever #12.5SF; 95 mm long; stands off 25 mm with standard plate; 20 mm wide

12.329SF



#12.329SF Thumb-turn 30 x 10 mm  
On rose #12.1005 flat  
Details on roses and escutcheons  
See page 1-2.



Use Lever Handles with Roses or Escutcheon Plates; See page 1-2 for details

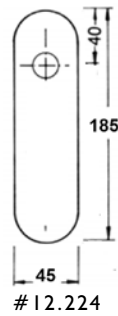




Izerwaren  
Order  
numbers

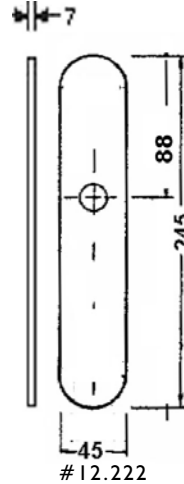
- Stainless Steel Escutcheons for marine locks
- Specify Finish:
  - Satin stainless steel
  - Mirror Polished stainless steel

12.224 **Stainless steel escutcheon plate**  
with radius, 185 x 45 x 7 mm  
Clip on style with inner delron escutcheon  
Screws invisible



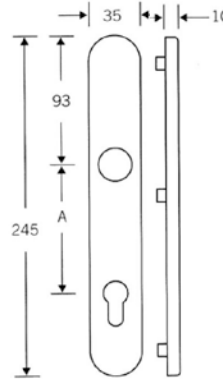
Clip on escutcheon #12.224 with delron inner plate stainless steel

12.222 **Stainless steel escutcheon plate**  
with radius, 245 x 45 x 9 mm  
Clip on style with inner delron escutcheon  
Screws invisible  
Custom adaption for any mortise lock function



Clip on escutcheon #12.222 stainless steel with delron inner plate

12.416 **Stainless steel escutcheon plate**  
with square corners, 245 x 35 x 10 mm  
Screws visible  
For Narrow Style Doors.  
See pages I-9-1 and I-14- and I-14-A  
Cropped lever 12.021: See page I-1-2



#12.416 escutcheon square corners  
#12.417 escutcheon round corners  
#12.021 levers, cropped; see page I-1-2

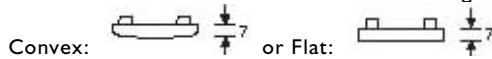
12.417 **Stainless steel escutcheon plate**  
with radius, 245 x 35 x 10 mm  
Screws visible  
For Narrow Style Doors.  
See pages I-9-1 and I-14- and I-14-A  
Cropped lever 12.021: See page I-1-2

#12.417



Lever Rose For Fire Rated Doors

12.110CS Convex stainless steel outer & inner rose and bearing.  
12.110FS Flat stainless steel outer & inner rose and bearing



#12.110F Rose for levers 55 mm Ø flat; nylon inner rose  
#12.110C Rose for levers 55 mm Ø convex; nylon inner r.



#12.111ZF Rose for Profile Cylinder; 55 mm Ø flat  
#12.111ZC Rose for Profile Cylinder; 55 mm Ø convex



#12.507 Oval Rose for lever 66.5 x 29.5 mm



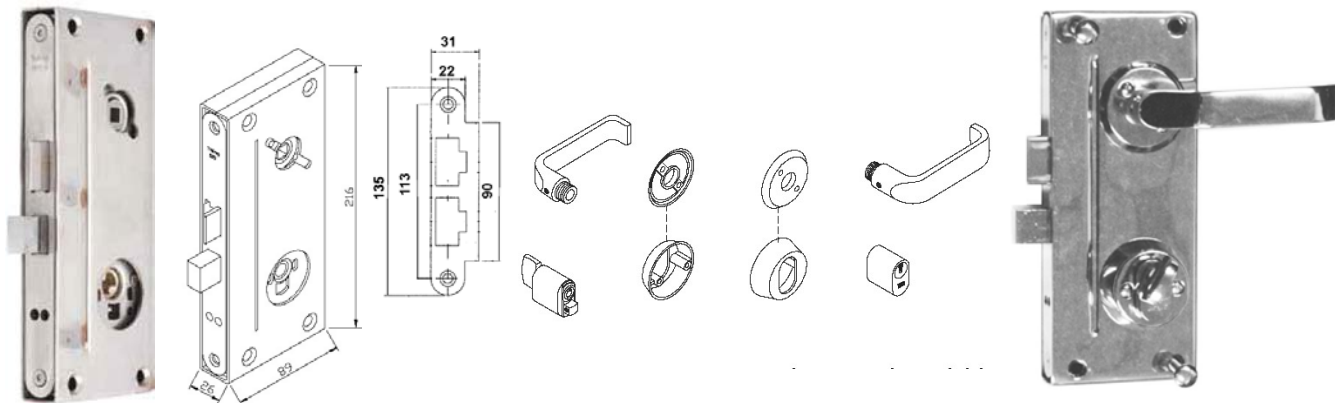
#12.517 Oval Rose; for Profile Cylinder 66.5 mm x 29.5 mm



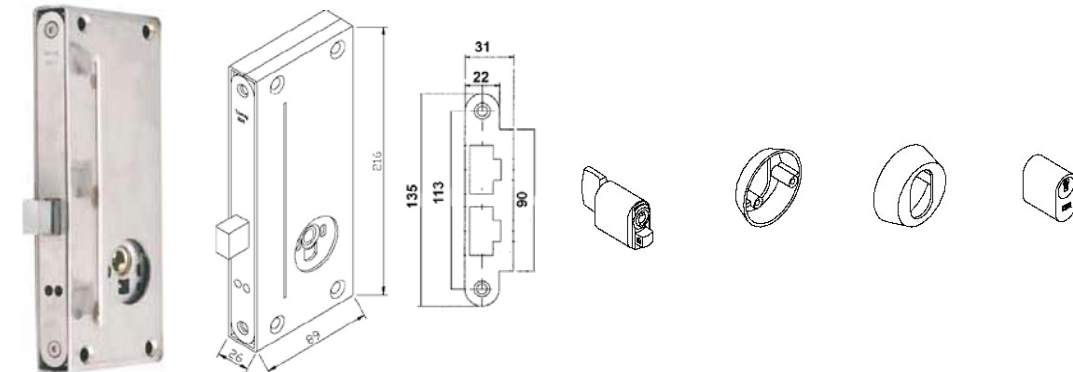
#12.111T Rose for Oval Cylinder; 55 mm Ø convex



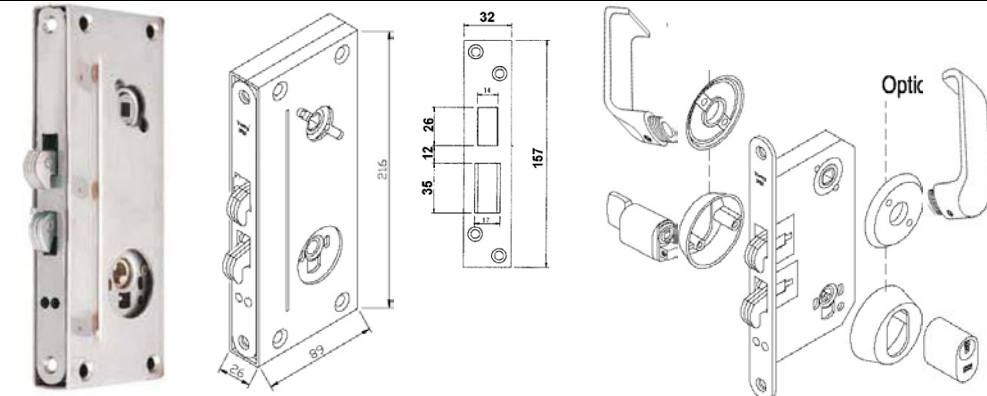
#13.329SC SET: Thumb-turn 30 x 10 mm with rose  
Showing convex. #13.329SF with flat rose.



#11.EBET01; Complete SET Rim Mounted Box Lock. Lock and Box Stainless steel. Roses and Levers Chrome Plated Brass.



#11.BDRT01. Complete SET Rim Mounted Box Lock. Lock and Box Stainless steel. Roses and Keyway Chrome Plated Brass.



#11.SBET01; Complete SET Rim Mounted Sliding Box Lock. Lock and Box Stainless steel. Roses and Keyway Chrome Plated Brass.

**MORTISE LOCKS AND LOCK BOX CASE PARTS SEPARATE**



#11.390 box only



#11.312 entry lock



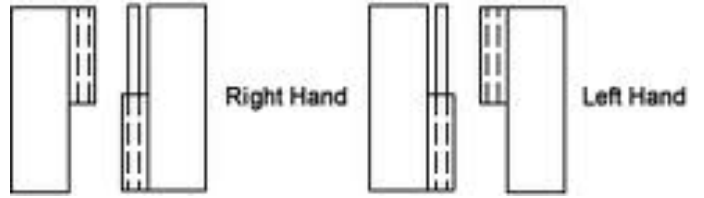
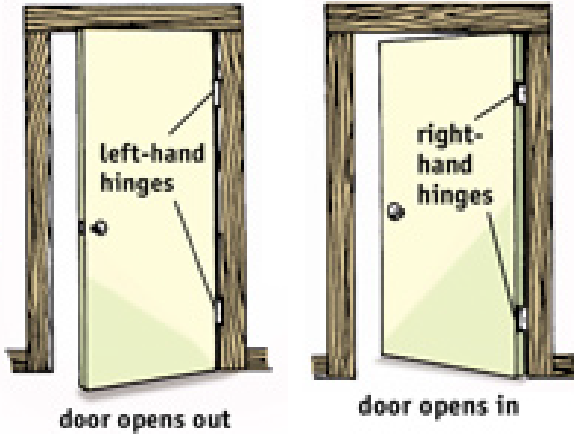
#11.382 sliding entry lock



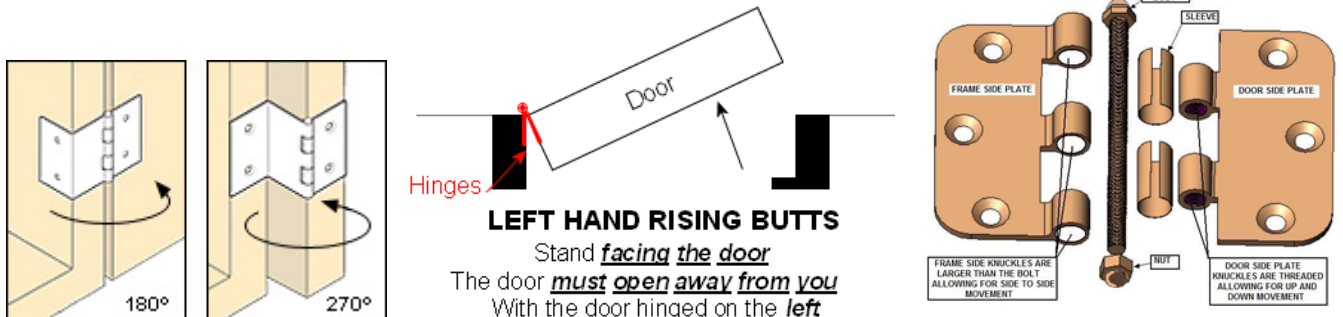
#11.341 dead bolt lock



### Standard US Hinges Handing



### Handing For Standard US Butt Hinges and Lift Off Hinges (Slip Joint Hinges)

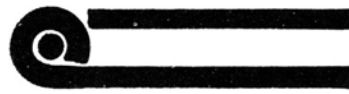


### Handicapped Code Full Away Swinging Hinges and Butt Hinge Installation

### Hinge Swaging



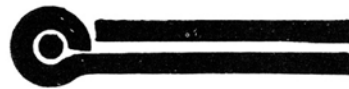
Hinge not swaged — figure 1



Hinge not swaged — figure 2



Hinge swaged (standard) — figure 3



Hinge swaged (standard) — figure 4



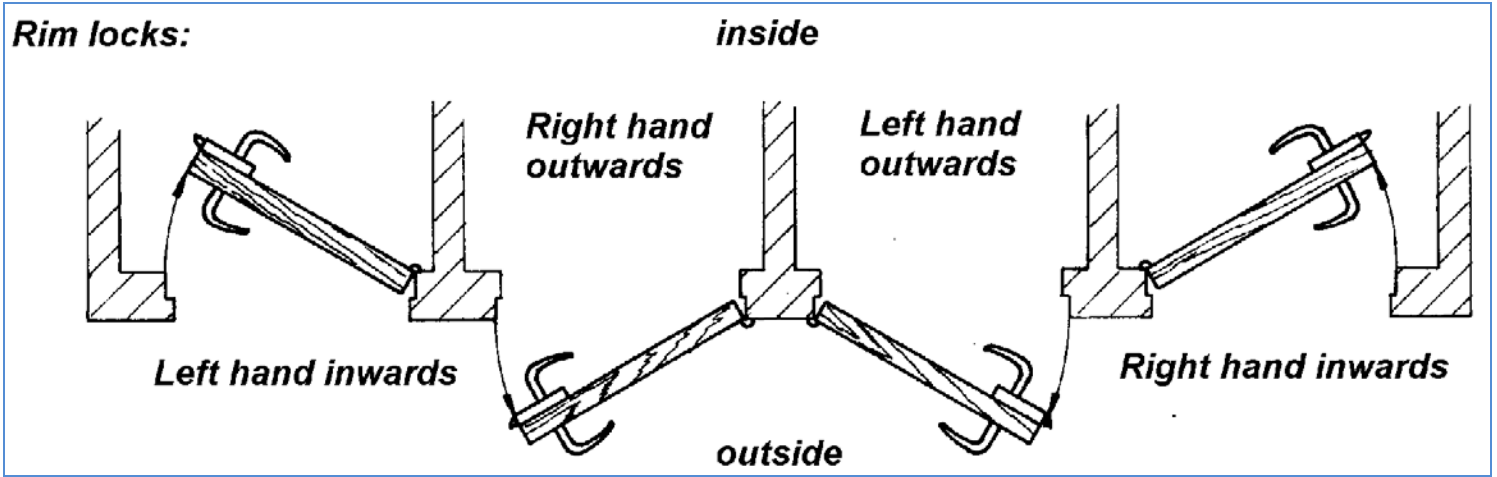
\*Hinge with one leaf swaged — figure 5



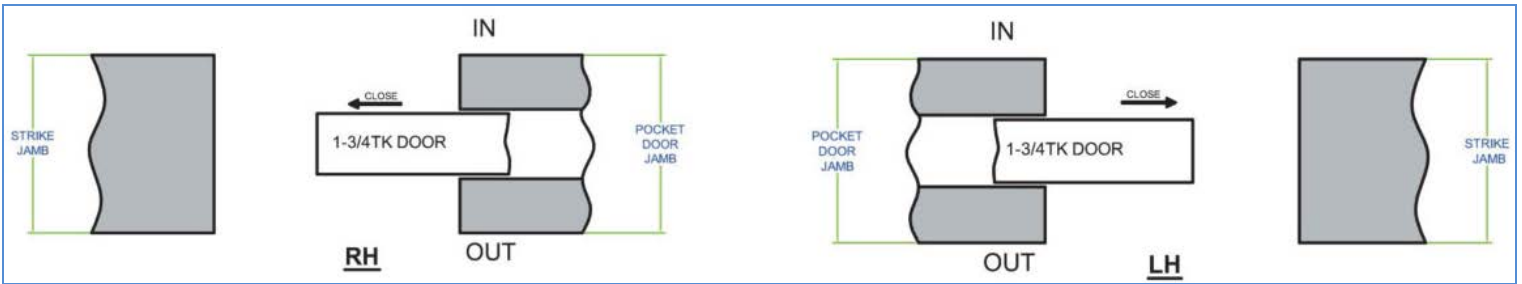
\*Hinge with one leaf swaged flat — figure 6



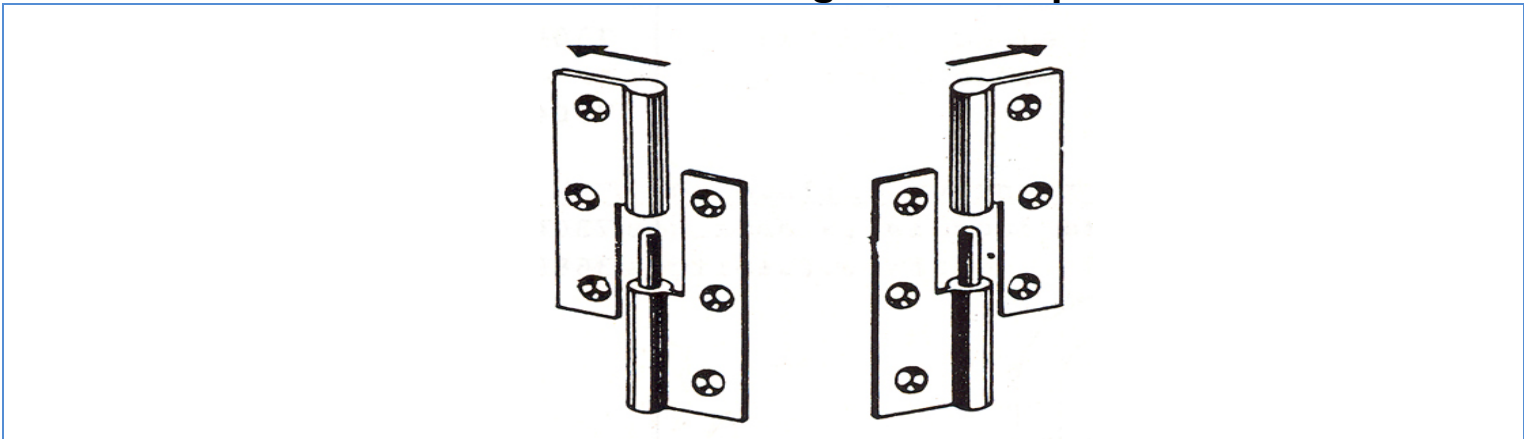
### HANDING OF RIM MOUNTED LOCKS EUROPEAN DIN STANDARD:



### HANDING OF POCKET DOORS US STANDARD:



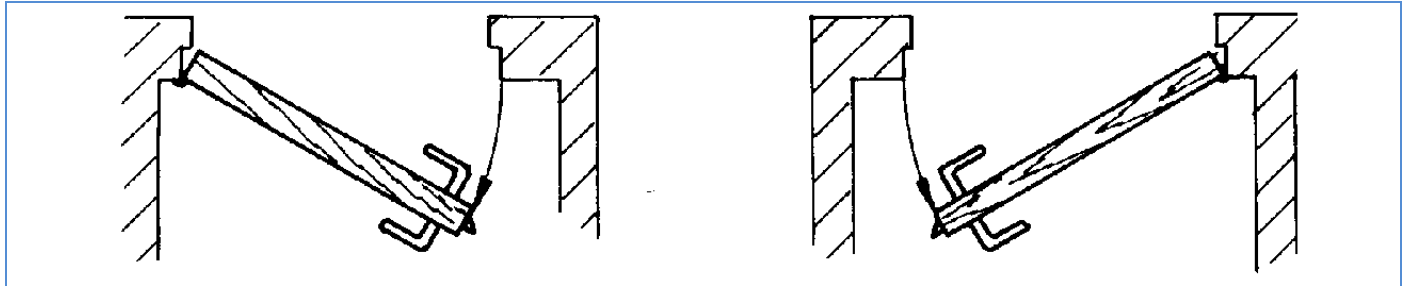
### HANDING of LIFT OFF HINGES according to the European DIN Standard:





### Standard European (DIN) Handing for Mortise Locks and Swinging Doors:

**OUTSIDE**



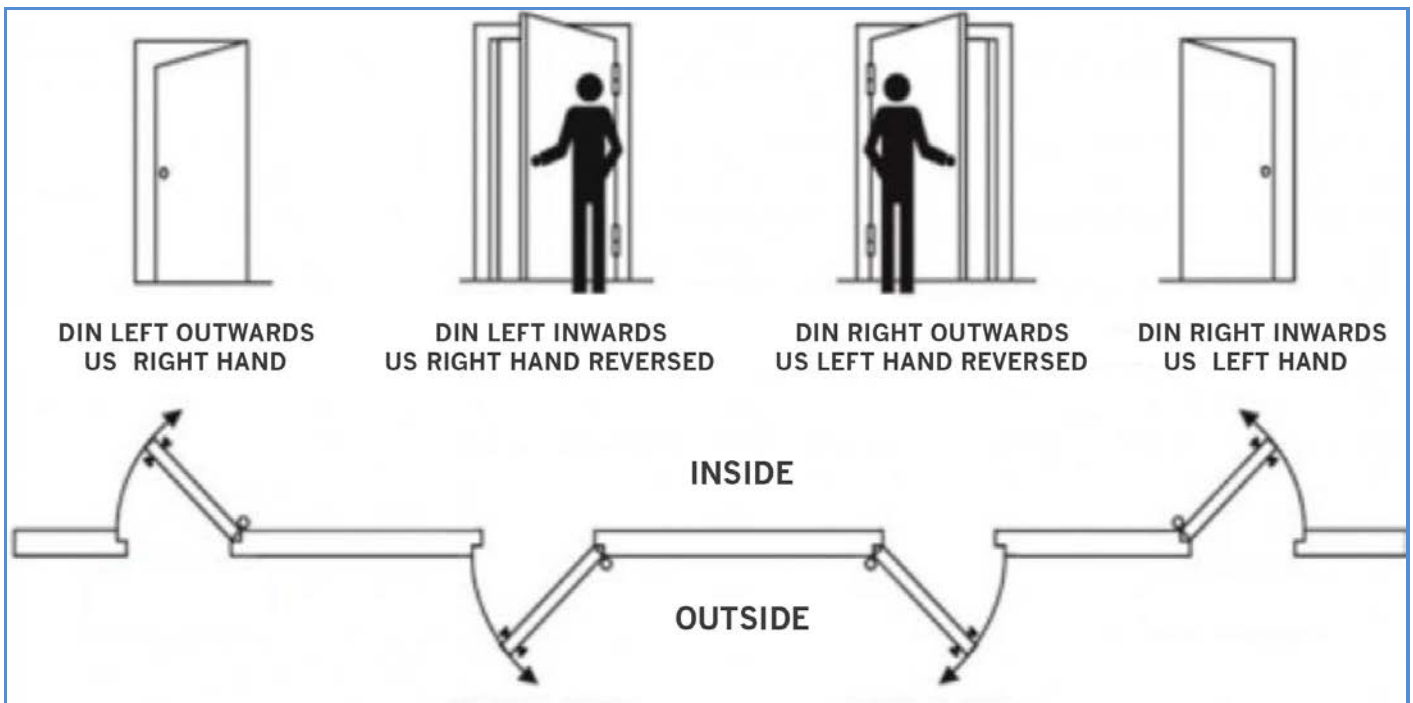
**DIN LEFT HAND**

**INSIDE**

**DIN RIGHT HAND**

The DIN Standard applies to most Mega Yachts Door Schedules.

### Handing Door Schedules for: Residential European (DIN) and Residential American (US) Swinging Door the following schedule applies, showing DIN Standard and US Standard:



### Standard US Handing schedule:

